

Welcome to the Brando motion sofa, where sheer comfort and quality blend to perfection. Brando offers an integrated footstool to adapt to all shapes and sizes. Unquestionably one of the most well conceived motion sofa Sofas on the market today, each piece reclines to the perfect angle. Includes motorized neck, headrest and lumbar support function (POWER+). Available in one, two or three-seat reclining sofas. Brando motion sofa can easily be combined with RG Brando relaxer.



BENEFITS

NORWEGIAN QUALITY All IMG products meet the highest quality standards. The reclining mechanism with integrated footrest is made by the largest specialized mechanism supplier in the world. The construction is based on a hard wood and steel frame with IMG's unique molded foam.

ADJUSTABLE HEAD AND NECK SUPPORT
 Exclusive adjustment system that allows your head and neck to rest in an infinite number of comfort positions. It can easily be adjusted by a handgrip.

COLD-CURED FOAM CUSHIONING
 This space-age material encases the interior steel frame and sinuous springs, allowing for body-friendly curvatures to be covered with glove-fitted leather or upholstery.

THE CHOICE IS YOURS
 Brando MSS Wall Saver comes in different configurations 1 seat (like a no swivel/glider relaxer), 2 seat or 3 seat (fixed centre). See next page for the different setups. A motor option is also available. Can perfectly be combined with Brando Relaxer. You also have a choice of leather and fabric upholstery. See your IMG dealer for the many custom options

INTEGRATED FOOTREST AND EFFORTLESS RECLINING
 Easily unfolded by using inside handle (WS) or outside button (WM/WMS).

WALLSAVER
 With our Wall saver mechanism the sofa and chairs can be placed close to the wall.

WARRANTY

	10 years	on molded foam cushions and steel frames
	5 years	on mechanisms
	2 years	on motor and battery-parts
	2 years	on leather and fabric covers
		DESIGNED IN NORWAY

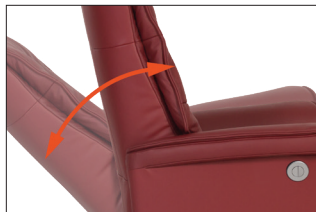
See warranty policy for more details.

POWER™

POWER FOOTREST AND POWER RECLINING



MOTORISED FOOTREST



MOTORISED RECLINING

POWER+™

POWER HEADREST AND POWER LUMBAR SUPPORT



MOTORISED LUMBAR SUPPORT



MOTORISED HEADREST AND NECK SUPPORT

BRANDO MODULAR SEATING SYSTEM

Computer controlled injection molded cold-cure foam ensures ergonomically correct seating and comfort throughout all areas of the chair.

The interior steel frame with sinuous springs encased in cold-cure molded foam ensures correct back and lumbar support.

Built with a solid hard wood and steel frame and IMG uses computer controlled injection moulded foam. This guarantees superior quality and durability

Adjustable head and neck support gives you ultimate comfort in all seating positions.

Effortless reclining and adjustable back rest angle as your heart desires.

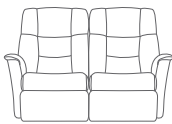
Integrated footrest. The footrest can easily be unfolded by using the handle. To fold it in you should use your feet to press the footrest down towards the chair and move your body weight forward while seating.



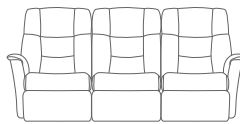
DIMENSIONS



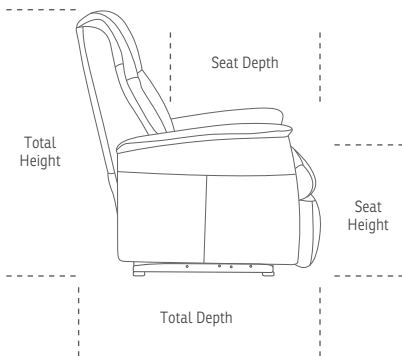
1 SEAT



2 SEAT

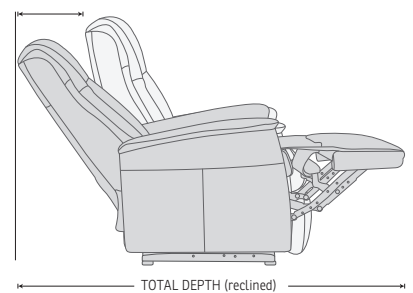


3 SEAT



WALL SAVER MECHANISM

WALL CLEARANCE



MOTOR OPTION

Brando can be delivered with two different mechanism.

- Wall saver mechanism with inside handle (WS) (can be placed closer to the wall compared to Recliner mechanism)
- Wall saver mechanism with motor (WM). The motor is made from one of the leading European motor supplier. Different plug-in cords are available according to regional/national specifications.

POWER™ **POWER+™**

CHAIR SIZE	TOTAL WIDTH	TOTAL DEPTH	TOTAL HEIGHT	SEAT WIDTH	SEAT HEIGHT	SEAT DEPTH	TOTAL WIDTH (RECLINE)	TOTAL DEPTH (RECLINE)	WALL CLEARANCE
Brando WS394/395 -1 seat	90 cm / 35.4 in	96 cm / 37.7 in	104 cm / 40.9 in	55 cm / 21.6 in	47 cm / 18.5 in	58 cm / 22.8 in	90 cm / 35.4 in	168 cm / 66.1 in	15 cm / 5.9 in
Brando WS394/395 -2 seat	145 cm / 57 in	96 cm / 37.7 in	104 cm / 40.9 in	55 cm / 21.6 in	47 cm / 18.5 in	58 cm / 22.8 in	145 cm / 57 in	168 cm / 66.1 in	15 cm / 5.9 in
Brando WS394/395 -3 seat	200 cm / 78.7 in	96 cm / 37.7 in	104 cm / 40.9 in	55 cm / 21.6 in	47 cm / 18.5 in	58 cm / 22.8 in	200 cm / 78.7 in	168 cm / 66.1 in	15 cm / 5.9 in
Brando WM394/395 -1 seat	90 cm / 35.4 in	96 cm / 37.7 in	104 cm / 40.9 in	55 cm / 21.6 in	47 cm / 18.5 in	58 cm / 22.8 in	90 cm / 35.4 in	168 cm / 66.1 in	15 cm / 5.9 in
Brando WM394/395 -2 seat	145 cm / 57 in	96 cm / 37.7 in	104 cm / 40.9 in	55 cm / 21.6 in	47 cm / 18.5 in	58 cm / 22.8 in	145 cm / 57 in	168 cm / 66.1 in	15 cm / 5.9 in
Brando WM394/395 -3 seat	200 cm / 78.7 in	96 cm / 37.7 in	104 cm / 40.9 in	55 cm / 21.6 in	47 cm / 18.5 in	58 cm / 22.8 in	200 cm / 78.7 in	168 cm / 66.1 in	15 cm / 5.9 in
Brando WMS394/395 -1 seat	88 cm / 34.6 in	93-94 cm / 36.6-37 in	106 cm / 41.7 in	55 cm / 21.6 in	48 cm / 18.8 in	56 cm / 22 in	84 cm / 33 in	166 cm / 65.3 in	16 cm / 6.2 in
Brando WMS394/395 -2 seat	143 cm / 56.2 in	93-94 cm / 36.6-37 in	106 cm / 41.7 in	55 cm / 21.6 in	48 cm / 18.8 in	56 cm / 22 in	140 cm / 55.1 in	166 cm / 65.3 in	16 cm / 6.2 in
Brando WMS394/395 -3 seat	198 cm / 77.9 in	93-94 cm / 36.6-37 in	106 cm / 41.7 in	55 cm / 21.6 in	48 cm / 18.8 in	56 cm / 22 in	195 cm / 76.7 in	166 cm / 65.3 in	16 cm / 6.2 in

* The dimensions are approximate and may vary with +/-2cm



imgcomfort.com

IMG[®]
COMFORT